



PARTS CATALOG

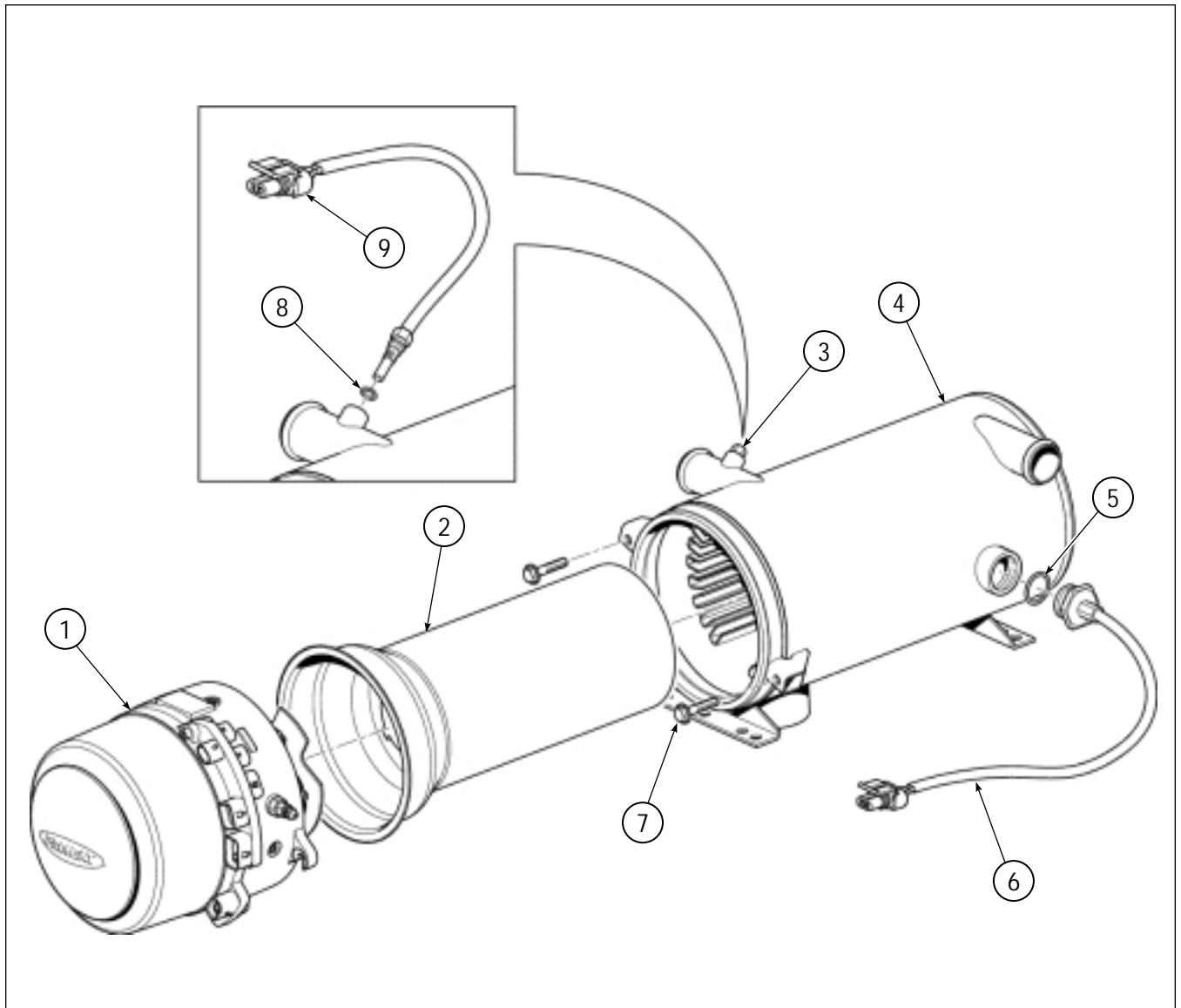
M50/M80/M105

12 Volt and 24 Volt

PROHEAT

TABLE OF CONTENTS

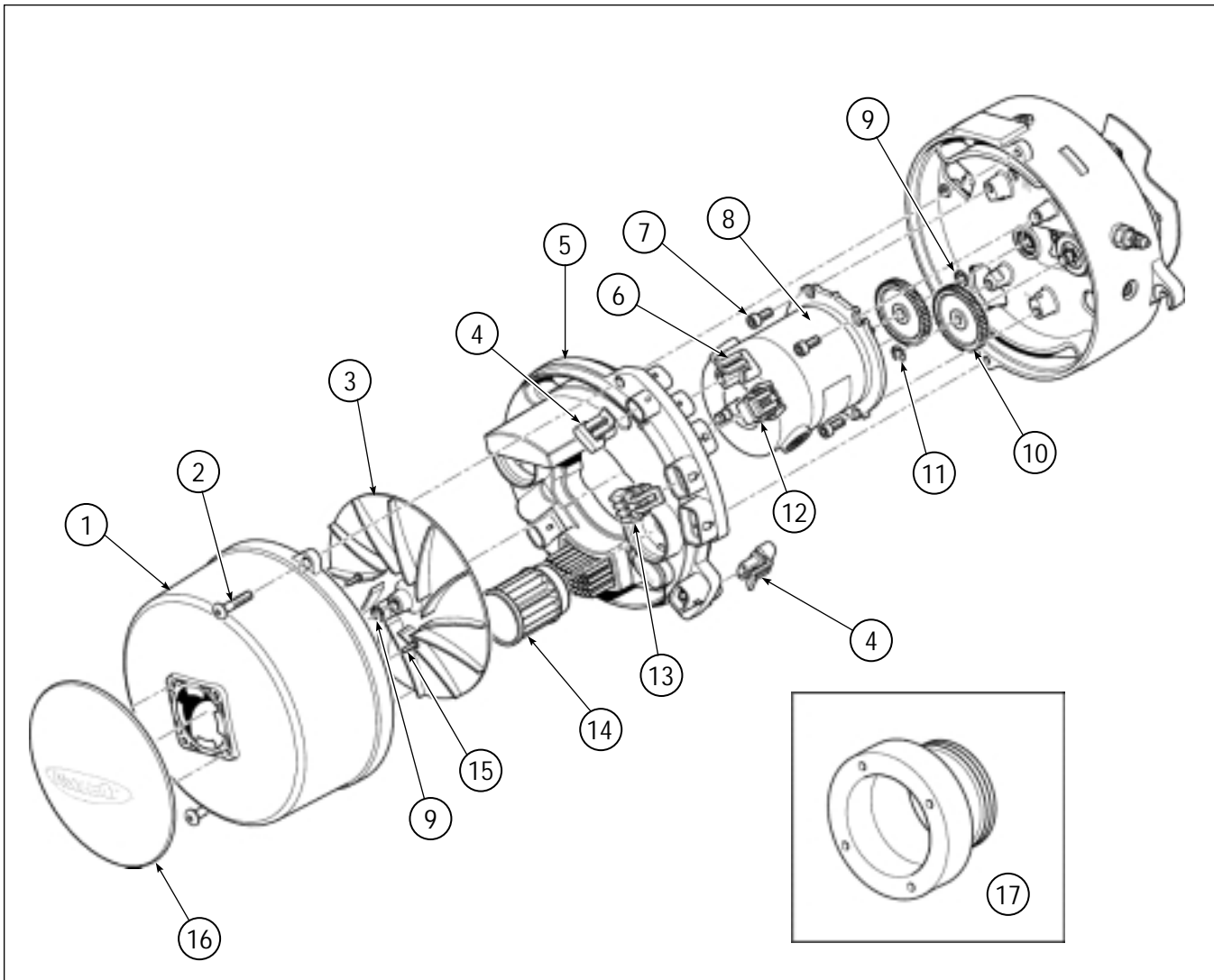
GENERAL HEATER ARRANGEMENT	1
BURNER HEAD/BLOWER	2
FUEL DELIVERY SYSTEM	3
FUEL DELIVERY BLOCK	4
OPTIONS	
Fuel Supply System	5
Timer	6
Switch	6
Exhaust System	7
TEST EQUIPMENT & SPECIAL TOOLS	
Remote ON/OFF Switch	7
Data Link Kit	8
DOCUMENTATION	
Service Manual	9
Parts Catalog	9
NUMERIC PARTS INDEX	10



ITEM	PART#	DESCRIPTION
1	200451K 200400K	Burner Head Assembly, M50, 24 Volt Burner Head Assembly, M80, 24 Volt
2	200200K	Combustion Tube, M50/M80
3	900960K	Plug
4	206195K 940500K	Heat Exchanger, M50 Heat Exchanger, M80
5	917724K	O-ring, Overheat/Temperature Sensor
6	200302K	Overheat/Temperature Sensor c/w O-ring
7	850778K	Screw M8x1.25x30 HWHCS (2/pkg.)
8	905821K	O-ring, Temperature Sensor (Optional)
9	200301K	Temperature Sensor c/w O-ring (Optional)

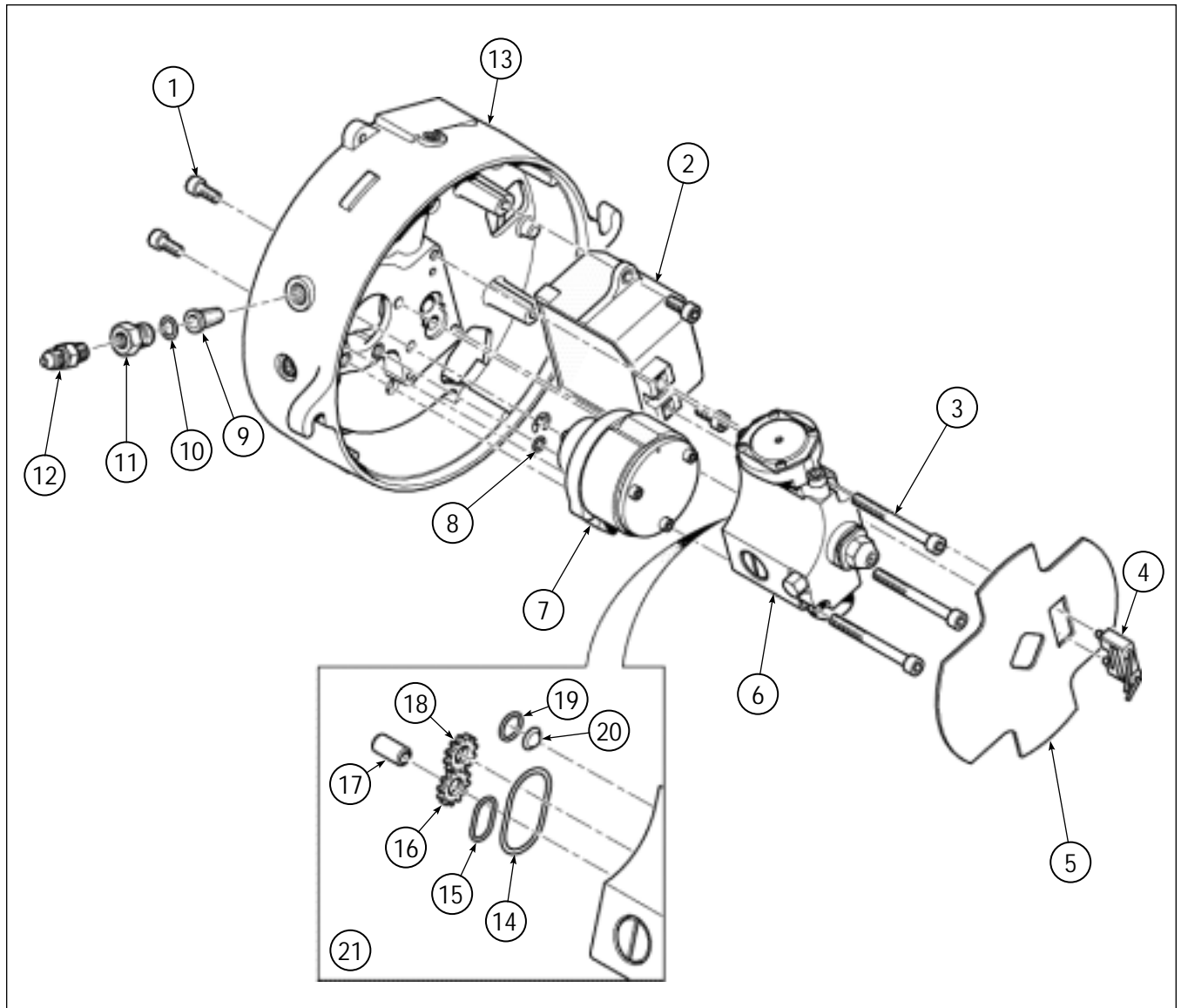
ITEM	PART#	DESCRIPTION

BURNER HEAD/BLOWER



ITEM	PART#	DESCRIPTION
1	200406K	Blower Housing c/w Fasteners
2	200122K	Screw, M6x1x25mm, BHSCS SS (2/pkg.)
3	200405K	Blower, M-Series c/w Retaining Ring
4	200560K	Plug, Auxiliary/CP, PCM (2/pkg.)
5	200910K 200920K	PCM, M-Series, M50, 24 Volt PCM, M-Series, M80, 24 Volt
		California Proposition 65 Warning: These productions contain lead, a chemical known to the State of California to cause cancer, birth defects and other reproductive harm.
6	200550K	Plug, Temperature Sensor, PCM
7	850121K	Screw, M6x1x16mm, SHCS ZP (4/pkg.)

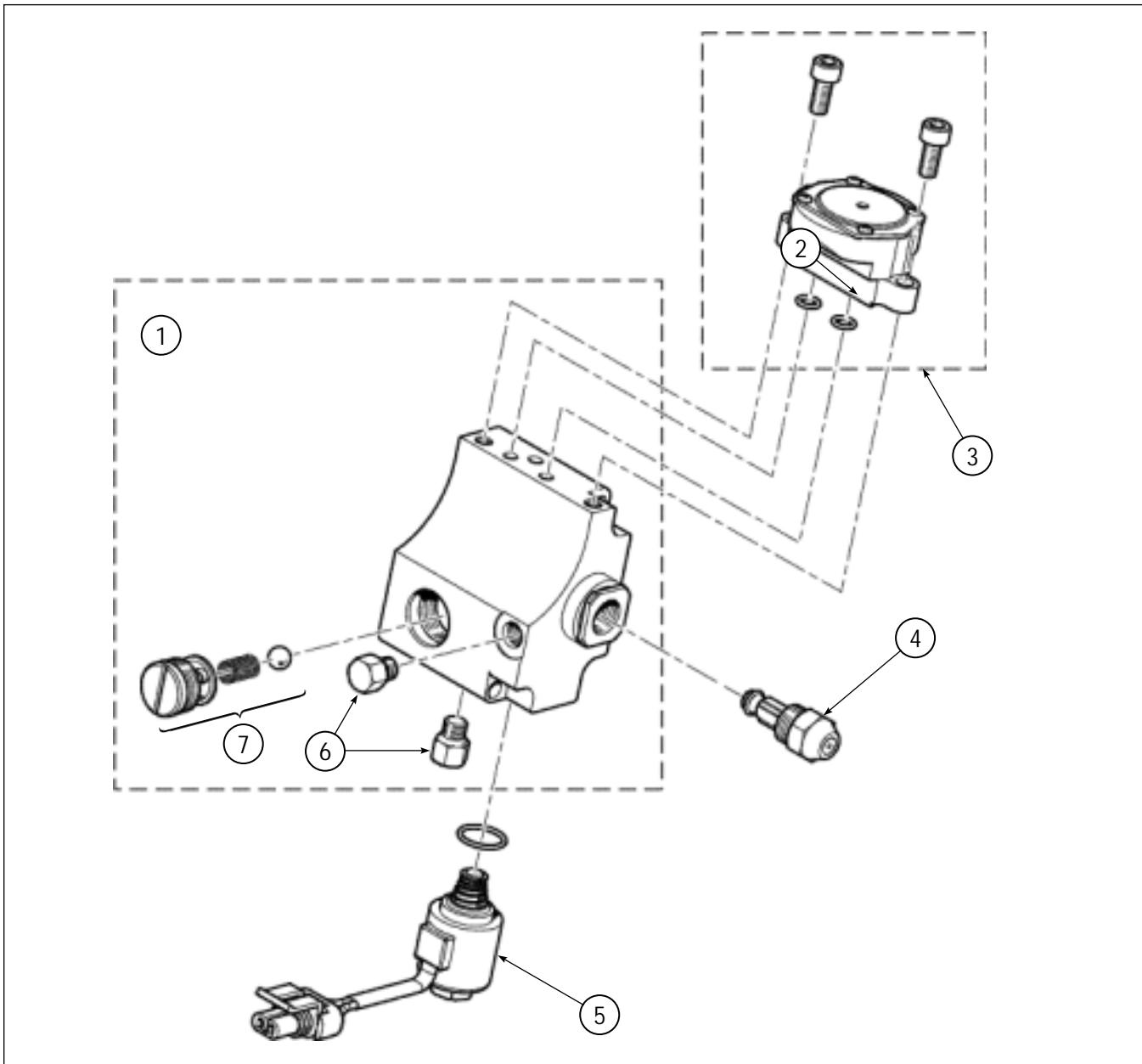
ITEM	PART#	DESCRIPTION
8	200404K 200508K	Motor, M80/M50 -24 Volt, c/w Fasteners Motor, M80/M50 -12 Volt, c/w Fasteners
9	920175K	Retaining Ring (3/pkg.)
10	200436K	Gear, Set, M50/M80 c/w Retaining Rings
11	200448K	Retaining Ring (2/pkg.)
12	200580K	Plug, CanBus, PCM
13	200570K	Plug, Datalink, PCM
14	200610K	Air Filter, M-Series
15	200224K	Screws, Air Inlet
16	200409K	Splash Guard c/w Fasteners
17	135689K	Snorkel Attachment c/w Fasteners (Optional, replaces splash guard)



ITEM	PART#	DESCRIPTION
1	850121K	Screw, M6x1x16mm, SHCS ZP (4/pkg.)
2	200751K	Ignition Module c/w Fasteners & Electrodes
3	850123K	Screw, M6x1x60mm, SHCS SS (3/pkg.)
4	200801K	Ignition Electrodes
5	200705K	Flame Shield
6		Fuel Delivery Block (see next page)
7	200666K	Compressor, M-Series c/w Retaining Rings, O-ring, & Fasteners
8	550324K	O-ring (3/pkg.)
9	880035K	Fuel Filter
10	014925K	O-ring, Fuel Filter
11	880015K	Adapter c/w O-ring
12	859165K	Ftg -4JIC-MX1/8NPT-M STL

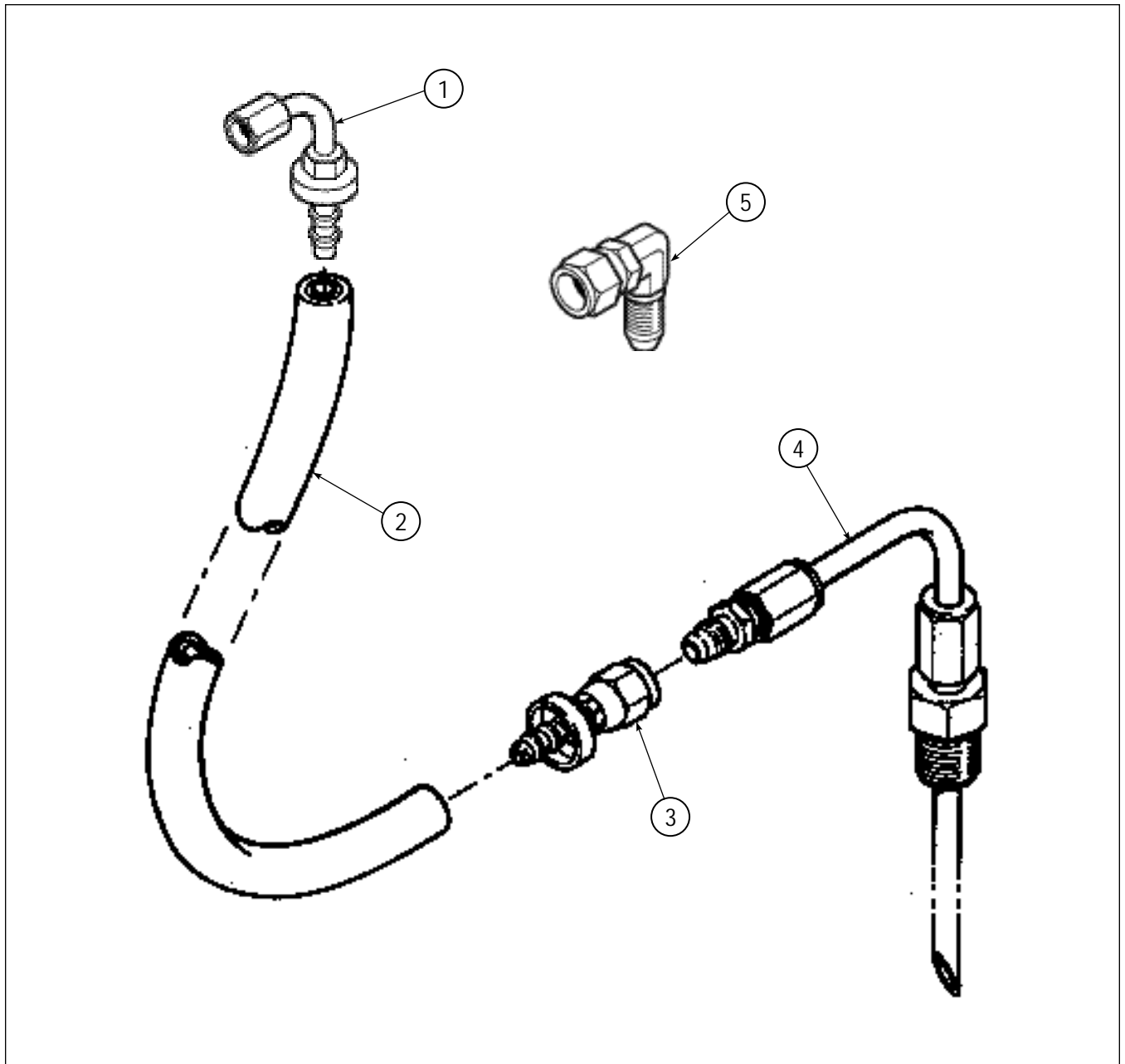
ITEM	PART#	DESCRIPTION
13	200401K	Burner Head Flange Assembly c/w Seal, Washer, Bearing, Retaining Ring, Plugs, & Fittings
14	202025K	O-ring, Gear Pump
15	014427K	O-ring, Air Intake
16	852525K	Gear, Pinion, Fuel Pump
17	200630K	Idler Shaft, Fuel Pump
18	200525K	Gear, Drive, Fuel Pump
19	003121K	O-ring, Fuel Intake
20	418920K	Screen, Inlet c/w O-ring
21	200701K	FUEL PUMP SERVICE KIT Contains Items 14 thru 20

FUEL DELIVERY BLOCK



ITEM	PART#	DESCRIPTION
1	200700K	Fuel Delivery Block, M-Series c/w Relief Valve, Fittings, & Fasteners
2	550324K	O-ring (3/pkg.)
3	200703K	Regulator, M-Series c/w O-ring & Fasteners
4	200589K 854421K	Nozzle, 30609-50 (M50 only) Nozzle, 30609-9 (M80 only)
5	200702K	Solenoid, Fuel Shut Off c/w O-ring
6	829325K	Plug, 5/16-24 ORB HX c/w O-ring (2/pkg.)

ITEM	PART#	DESCRIPTION
7	200128K	RELIEF VALVE KIT, M-Series Includes: Ball, Ball Guide, Plug Cage, O-Ring, and Spring



ITEM	PART#	DESCRIPTION
1	123542K	Fitting, 1/4 JIC M 90° x 1/4" Pushlok
2	960146K	Hose, Fuel 1/4" ID Pushlok
3	925173K	Fitting, 1/4" Hose, -4 JIC M Pushlok
4	980630K	Fuel Pick-Up, 28" (# 4 JIC MX 3/8 NPTM)
5	854123K	1/4 JIC Male - 1/4" JIC Swivel Elbow

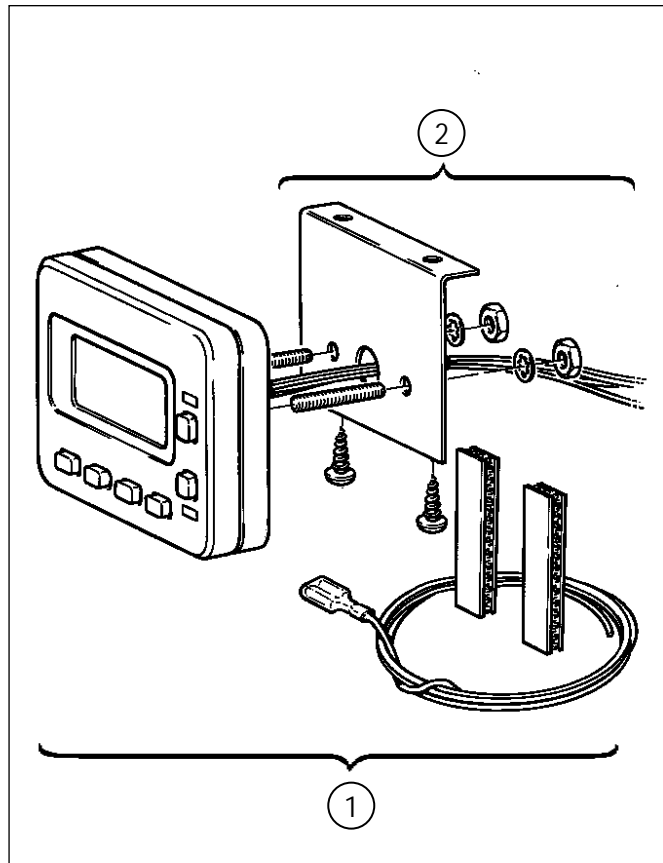
ITEM	PART#	DESCRIPTION
------	-------	-------------

OPTIONS TIMER

M-SERIES

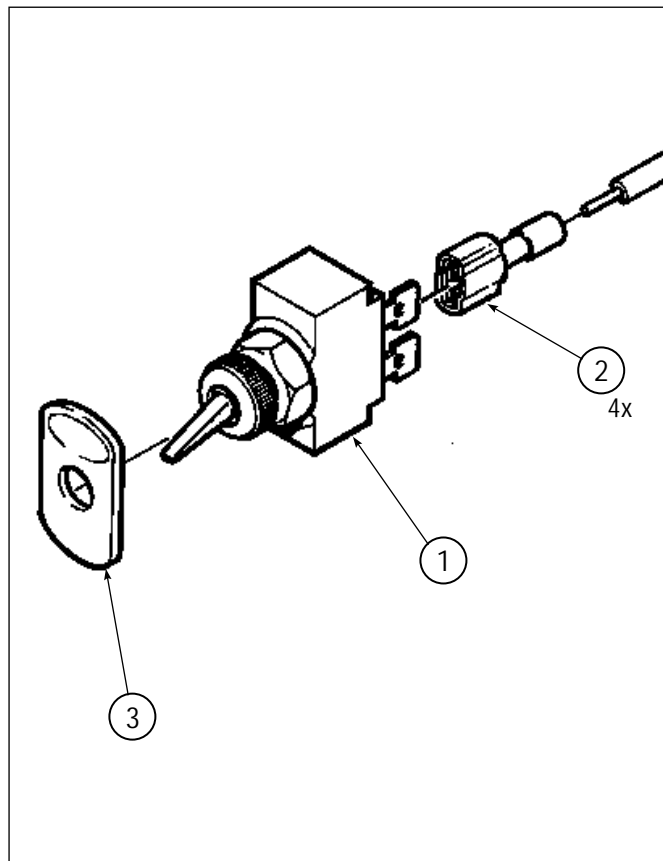
ITEM	PART#	QTY	DESCRIPTION
1	PK0001	1	Timer, 7-day Digital c/w Installation Kit
2	961125K	1	INSTALLATION KIT, Timer Kit Contains:
		2	Washer #8
		2	Nut, Hex #8-32
		1	Bracket, Mounting
		2	Screw, #8 x 1/2" Self Tapping
		2	Stud #8-32 x 1" Skt. Hd.
		4	Velcro, Duallock
		1	Wire, Backlight c/w Connector

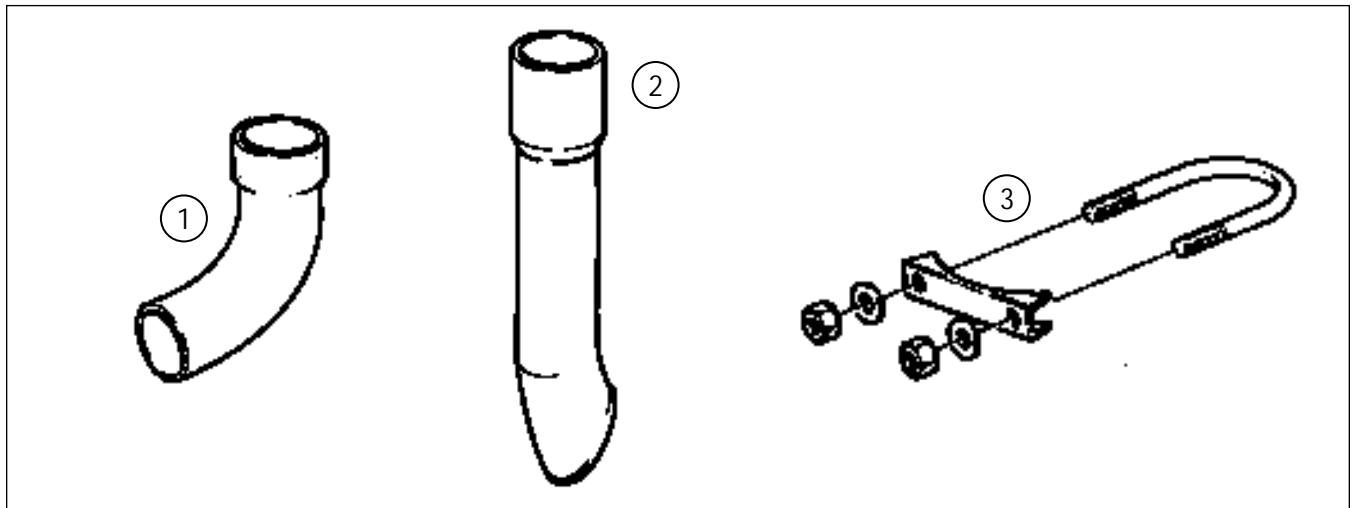
California Proposition 65 Warning:
This production contains lead, a chemical known to the State of California to cause cancer, birth defects and other reproductive harm.



OPTIONS SWITCH

ITEM	PART#	QTY	DESCRIPTION
	842725K	1	ON/OFF SWITCH KIT, 24 Volt Kit Includes:
1		1	Switch, On/Off, 24 Volt
2		4	Connector, 1/4" Female Spade
3		1	Decal, Toggle Switch

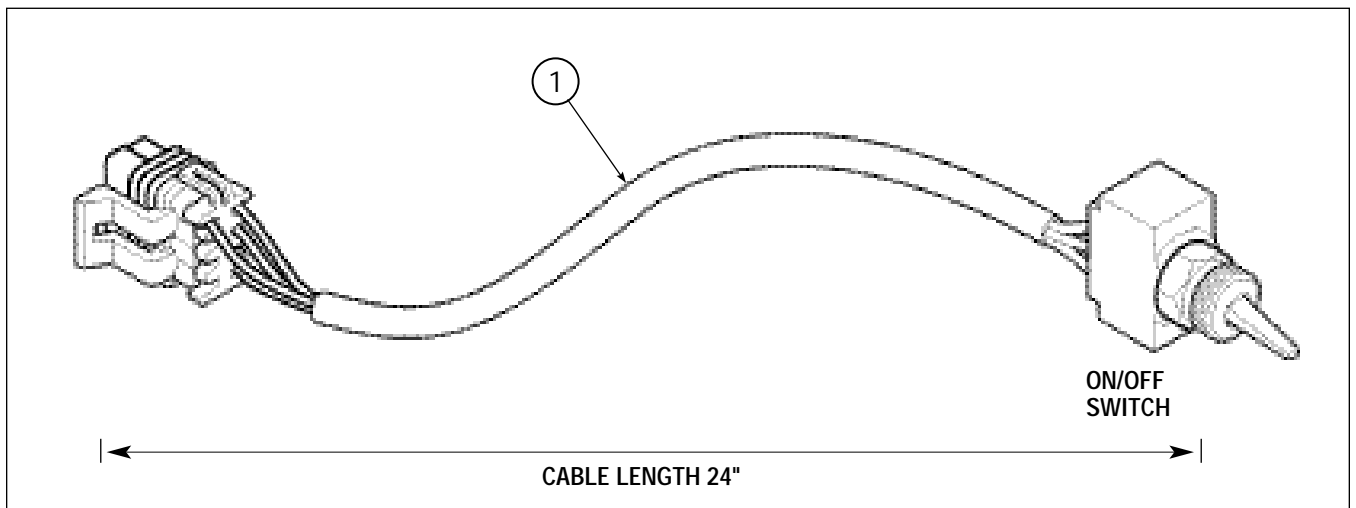




ITEM	PART#	DESCRIPTION
1	900542K	Exhaust, Elbow, 2.75" OD to 2.75" ID
2	980794K	Exhaust, Pipe, 2.75" ID x 10" c/w Clamp
3	900879K	Clamp, Exhaust, 3.0" ID

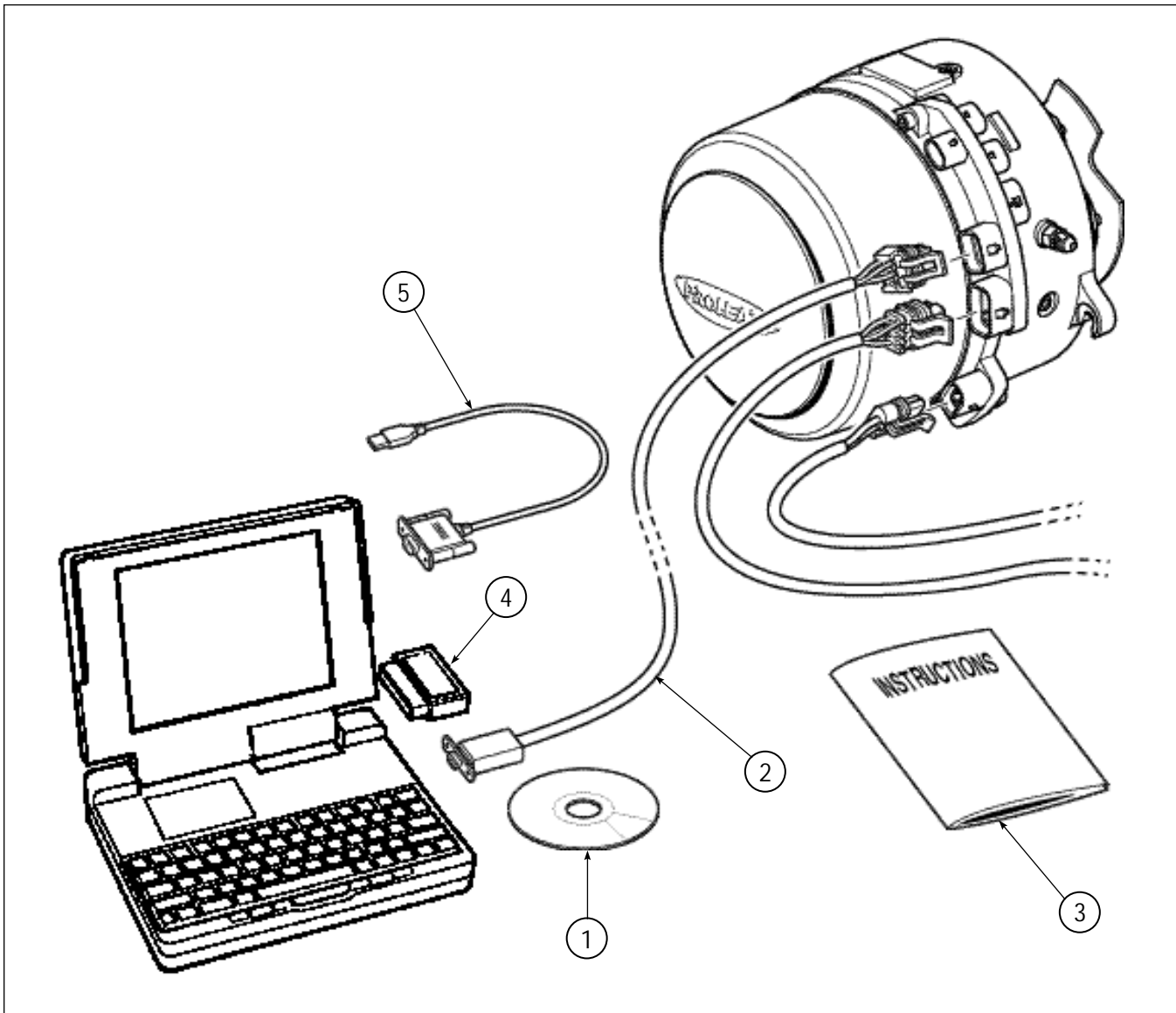
ITEM	PART#	DESCRIPTION
------	-------	-------------

TEST EQUIPMENT & SPECIAL TOOLS REMOTE ON/OFF SWITCH



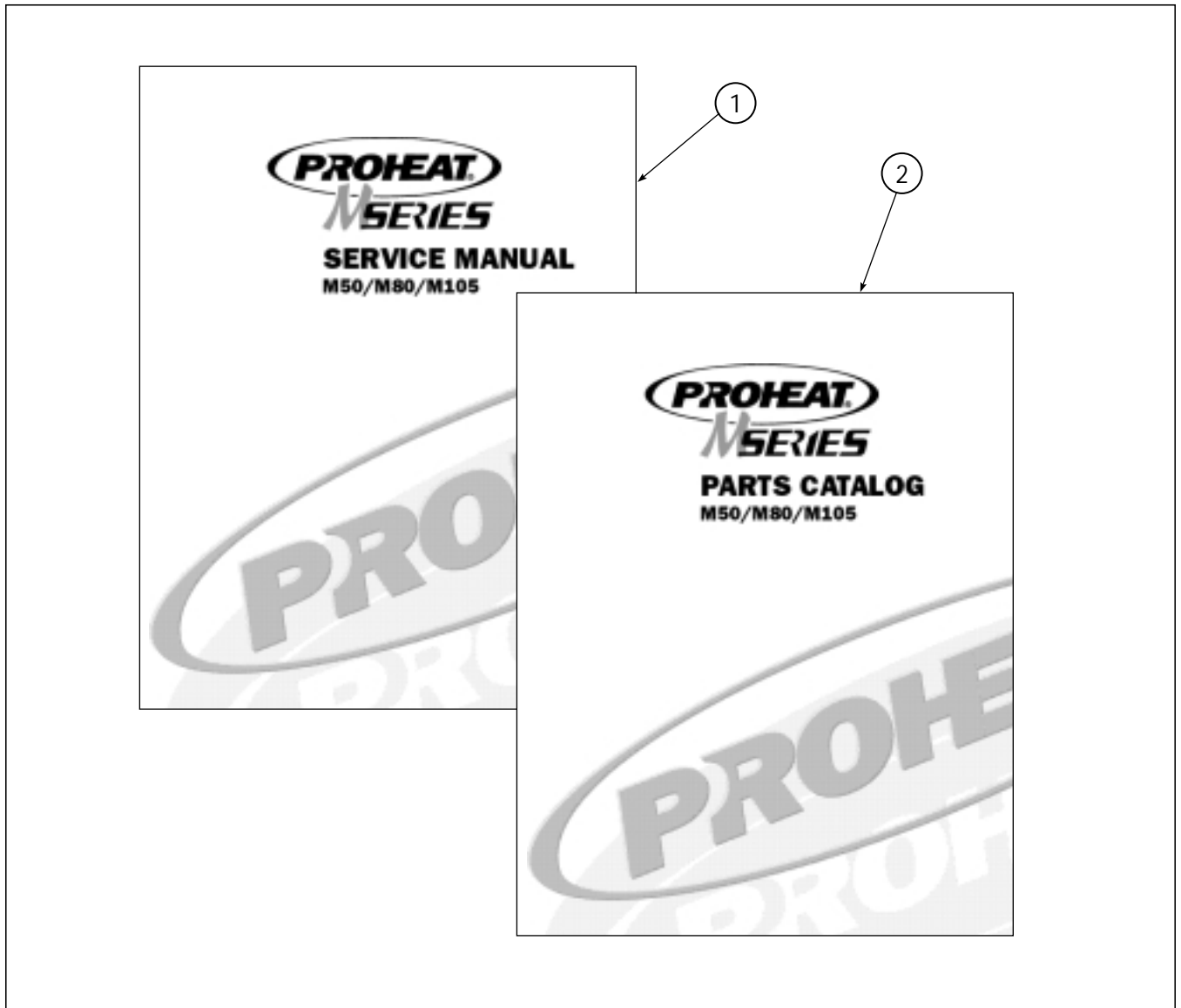
ITEM	PART#	DESCRIPTION
1	PK0091	Remote On/Off Switch, M-Series

ITEM	PART#	DESCRIPTION
------	-------	-------------



ITEM	PART#	DESCRIPTION
	PK0056	PROHEAT DATA LINK KIT, M-Series Kit Includes:
1		Software, Data Link, CD-ROM
2		Serial Cable, M-Series
3		Instructions
4		9 Pin/25 Pin Connector Adapter
5		9 Pin to USB Connector Adapter
Not Included:		Computer: IBM Compatible with Serial Port

ITEM	PART#	DESCRIPTION



ITEM	PART#	DESCRIPTION
1	SL9150	M-Series Service Manual
2	SL9151	M-Series Parts Catalog

ITEM	PART#	DESCRIPTION
------	-------	-------------

NUMERIC PARTS INDEX



PART#	DESCRIPTION	PAGE#	PART#	DESCRIPTION	PAGE#
003121K	O-ring, Fuel Intake	.3	854421K	Nozzle, 30609-9 (M80 only)	.4
014427K	O-ring, Air Intake	.3	859165K	Ftg -4JIC-MX1/8NPT-M STL	.3
014925K	O-ring, Fuel Filter	.3	880015K	Adapter c/w O-ring	.3
123542K	Fitting, 1/4 JIC M 90° x 1/4" Pushlok	.5	880035K	Fuel Filter	.3
135689K	Snorkel Attachment c/w Fasteners (Optional, replaces splash guard)	.2	900542K	Exhaust, Elbow, 2.75" OD to 2.75" ID	.7
200122K	Screw, M6x1x25mm, BHSCS SS (2/pkg.)	.2	900879K	Clamp, Exhaust, 3.0" ID	.7
200128K	Relief Valve Kit, M-Series	.4	900960K	Plug	.1
200200K	Combustion Tube, M50/M80	.1	905821K	O-ring, Temperature Sensor (Optional)	.1
200224K	Screws, Air Inlet	.2	917724K	O-ring, Overheat/Temperature Sensor	.1
200301K	Temperature Sensor c/w O-ring (Optional)	.1	920175K	Retaining Ring (3/pkg.)	.2
200302K	Overheat/Temperature Sensor c/w O-ring	.1	925173K	Fitting, 1/4" Hose, -4 JIC M Pushlok	.5
200400K	Burner Head Assembly, M80, 24 Volt	.1	940500K	Heat Exchanger, M80	.1
200401K	Burner Head Flange Assembly c/w Seal, Washer, Bearing, Retaining Ring, Plugs, & Fittings	.3	960146K	Hose, Fuel 1/4" ID Pushlok	.5
200404K	Motor, M-Series c/w Fasteners	.2	961125K	Installation Kit, Timer	.6
200405K	Blower, M-Series c/w Retaining Ring	.2	980630K	Fuel Pick-Up, 28" (# 4 JIC MX 3/8 NPTM)	.5
200406K	Blower Housing c/w Fasteners	.2	980794K	Exhaust, Pipe, 2.75" ID x 10" c/w Clamp	.7
200409K	Splash Guard c/w Fasteners	.2	PK0001	Timer, 7-day Digital c/w Installation Kit	.6
200436K	Gear, Set, M50/M80 c/w Retaining Rings	.2	PK0056	PROHEAT Data Link Kit, M-Series	.8
200448K	Retaining Ring (2/pkg.)	.2	PK0091	Remote On/Off Switch, M-Series	.7
200451K	Burner Head Assembly, M50, 24 Volt	.1	SL9150	M-Series Service Manual	.9
200525K	Gear, Drive, Fuel Pump	.3	SL9151	M-Series Parts Catalog	.9
200550K	Plug, Temperature Sensor, PCM	.2			
200560K	Plug, Auxiliary/CP, PCM (2/pkg.)	.2			
200570K	Plug, Datalink, PCM	.2			
200580K	Plug, CanBus, PCM	.2			
200589K	Nozzle, 30609-50 (M50 only)	.4			
200610K	Air Filter, M-Series	.2			
200630K	Idler Shaft, Fuel Pump	.3			
200666K	Compressor, M-Series c/w Retaining Rings, O-ring, & Fasteners	.3			
200700K	Fuel Delivery Block, M-Series c/w Relief Valve, Fittings, & Fasteners	.4			
200701K	Fuel Pump Service Kit	.3			
200702K	Solenoid, Fuel Shut Off c/w O-ring	.4			
200703K	Regulator, M-Series c/w O-ring & Fasteners	.4			
200705K	Flame Shield	.3			
200751K	Ignition Module c/w Fasteners & Electrodes	.3			
200801K	Ignition Electrodes	.3			
200910K	PCM, M-Series, M50, 24 Volt	.2			
200920K	PCM, M-Series, M80, 24 Volt	.2			
202025K	O-ring, Gear Pump	.3			
206195K	Heat Exchanger, M50	.1			
418920K	Screen, Inlet c/w O-ring	.3			
550324K	O-ring (3/pkg.)	.3, 4			
829325K	Plug, 5/16-24 ORB HX c/w O-ring (2/pkg.)	.4			
842725K	On/Off Switch Kit, 24 Volt	.6			
850121K	Screw, M6x1x16mm, SHCS ZP (4/pkg.)	.2, 3			
850123K	Screw, M6x1x60mm, SHCS SS (3/pkg.)	.3			
850778K	Screw M8x1.25x30 HWHCS (2/pkg.)	.1			
852525K	Gear, Pinion, Fuel Pump	.3			
854123K	1/4 JIC Male - 1/4" JIC Swivel Elbow	.5			



Teleflex Canada

3831 No.6 Road
Richmond, B.C.
Canada V6V 1P6

Tel: (604) 270-6899
Fax: (604) 270-0137

Toll Free: 1-800-667-HEAT(4328)

www.proheat.com



© 2001 Teleflex Canada



Designed and Manufactured
in North America

Printed in Canada

Part # SL9151 Rev. B